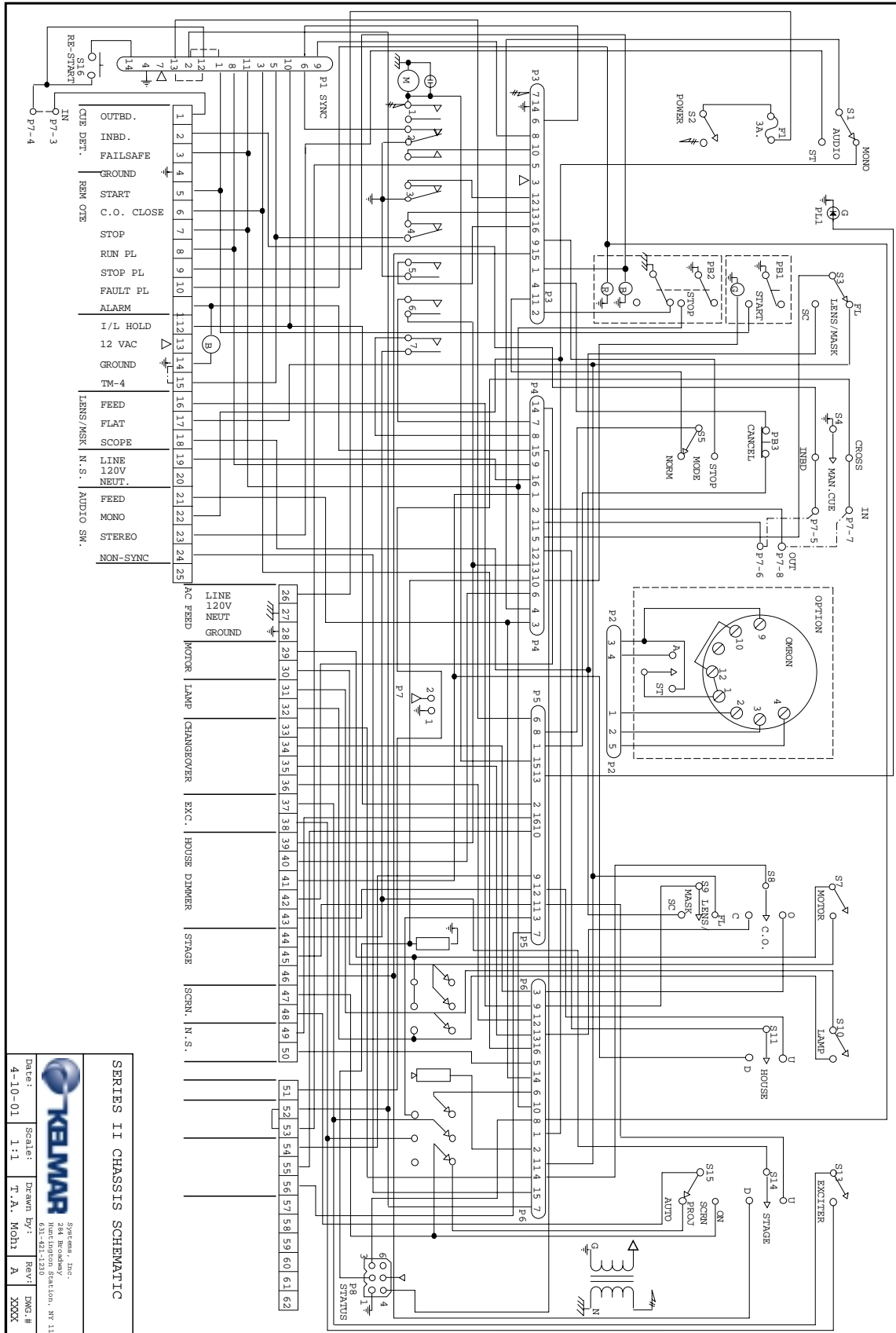




# KELMAR

Systems Inc., 284 Broadway, Huntington Station, NY 11746 • 631.421.1230 • FAX 631.421.1274

## Series II Automation Schematics



### SERIES II CHASSIS SCHEMATIC

Date:	Scale:	Drawn by:	Rev:	DWG. #
4-10-01	1:1	F.A. Mohi	A	XXXX

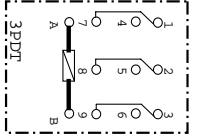
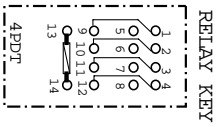
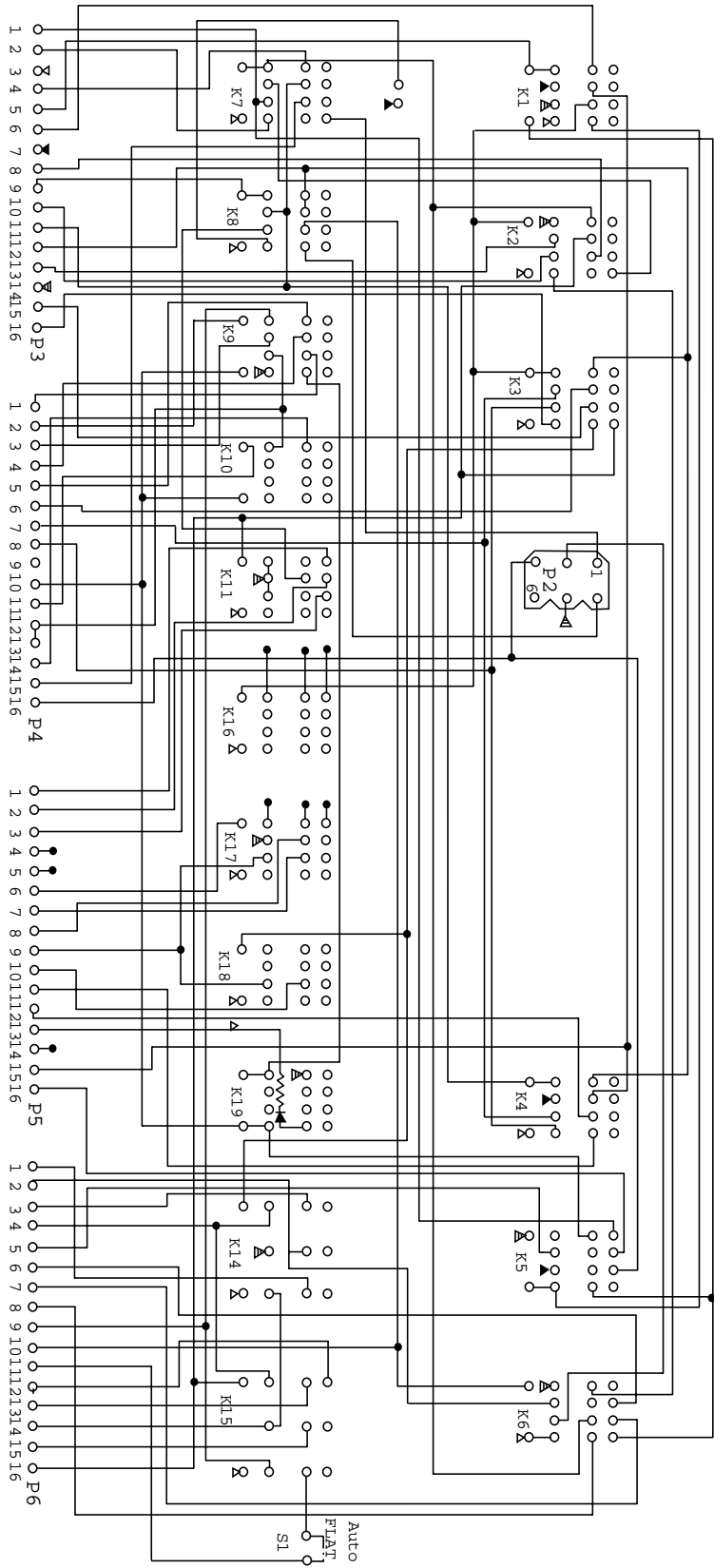
Systems, Inc.  
Huntington Station, NY 11746  
631-421-1230



**KELMAR**

Systems Inc., 284 Broadway, Huntington Station, NY 11746 • 631.421.1230 • FAX 631.421.1274

# Series II Automation Schematics



- LEGEND**
- ▲ 120 VAC
  - ▼ 12 VAC
  - ◄ GROUND
  - WIRE HOLE
  - CONNECTION

- RELAY LEGEND**
- K1- START
  - K2- START LATCH
  - K3- SHOW START
  - K4- SHOW END
  - K5- HOLD
  - K6- FAULTSAFE
  - K7- ALARM
  - K8- AUTO. STOP
  - K9- GROSS CUE
  - K10- INBOARD CUE
  - K11- C.O. CLOSE LOGIC
  - K14- C.O. OPEN
  - K15- C.O. CLOSE
  - K16- DIMMER OPTION
  - K17- OUTBOARD CUE
  - K18- CURTAIN OPEN
  - K19- FEATURE LATCH

**7864 AUTOMATION LOGIC BOARD**  
For Series II, III, AW-7, 8 Automations

Systems, Inc.  
284 Broadway  
Huntington Station, NY 11746  
631-421-1230

Date:	Scale:	Drawn by:	Rev:
4-28-00	NONE	T. A. Mohr	A