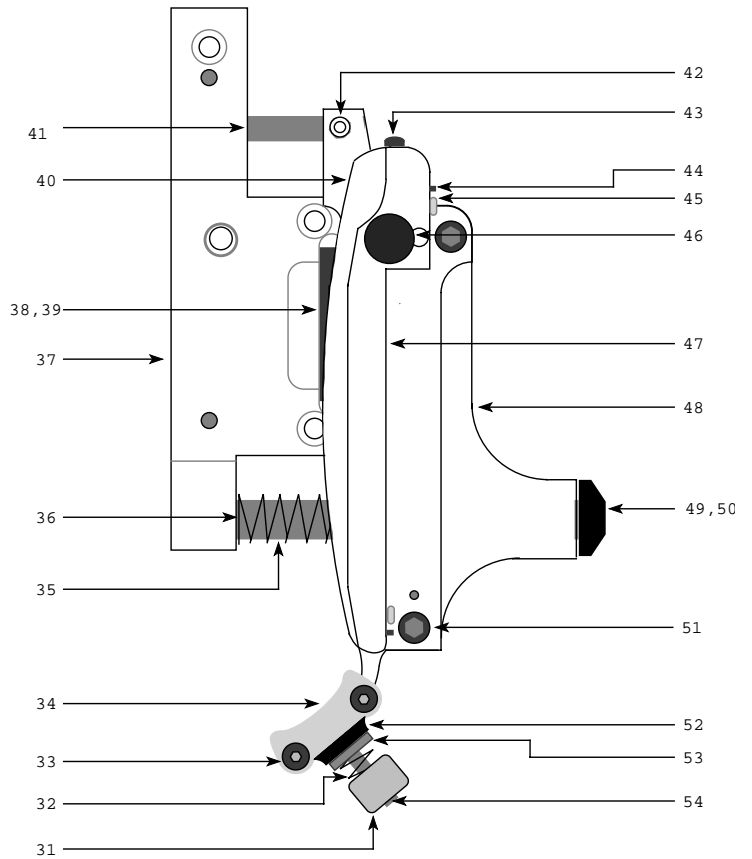
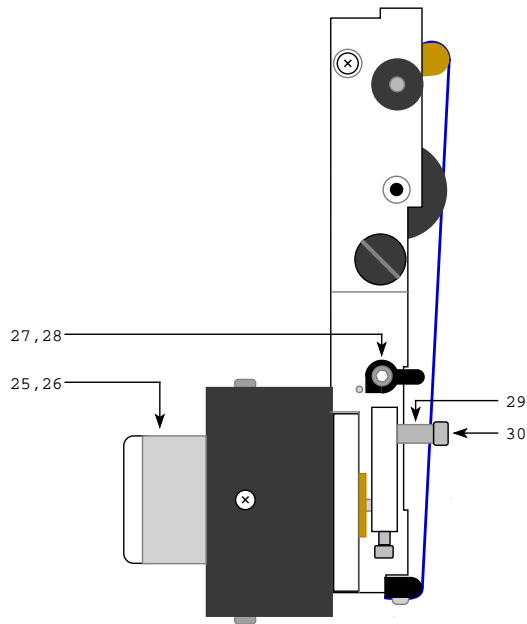
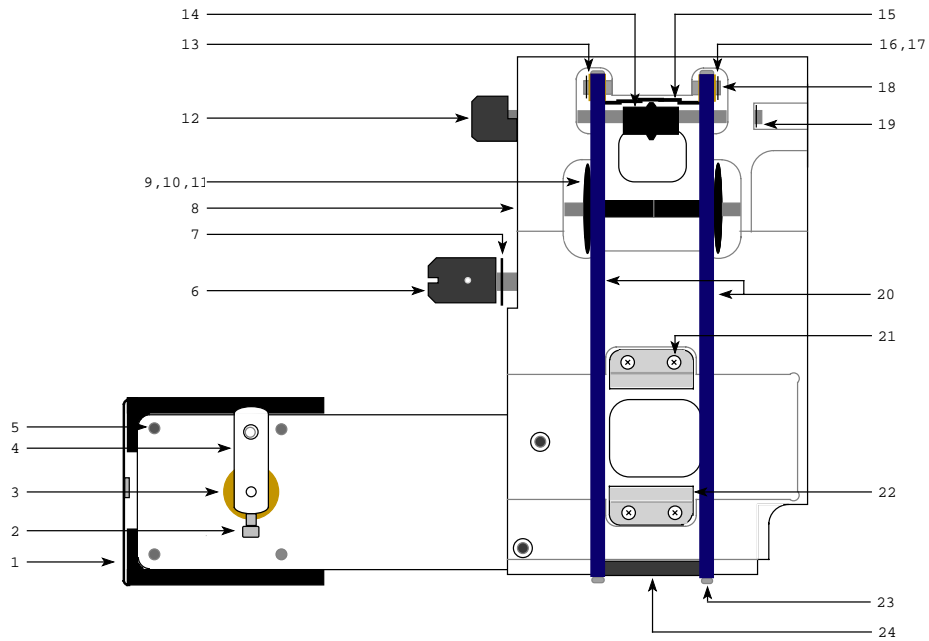


**Simplex XL Retrofit Gate and Trap Parts List**



<u>Item #</u>	<u>Part#</u>	<u>Description</u>
1	9171	Base, Motor Cover
2	SHC4x.5	Socket Head Cap Screw 4-40 x 1/2
3	8907186	Bushing, Motor Shaft Support
4	8907157	Arm, Aperture Plate Articulating
5	SHC4x.5	Socket Head Cap Screw 4-40 x 1/2
6	9003307	Screw, Trap Mounting
7	WA25SS	Washer, Trap Mounting Screw
8	9003323	Main Frame
9	7812301	Roller, Lateral Guide
10	7812439	Mounting Point, Roller, Lateral Guide
11	LGRRB	Ruby Bearing, Roller, Lateral Guide
12	8907178	Shaft, Trap Band Tension
	8907179	Knob, Trap Band Tension
13	7812496	Arm, Trap Band Tension
14	8907177	Eccentric, Trap Band Tension
15	7812498	Spring, Trap Band Tension
16	SR.125	Ring, Retaining 1/8"
17	SW.125	Washer, Shim 1/8"
18	7812497	Shaft, Arm, Trap Band Tension
19	SR.125	Ring, Retaining 1/8"
20	9003324	Bands, Trap
21	SP2x.125	Screw, 2-56 x .125"
22	8907181	Retainer, Aperture Plate
23	SP2x.125	Screw, 2-56 x .125"
24	8907166	Plate, Lower Band
25	DME33SRPB	Motor, Aperture Drive
26	4R200	Gear Head, Aperture Drive
27	8907156	Stop, Aperture Plate Outer
28	SHC4x.375	Socket Head Cap Screw 4-40 x 3/8
29	8907158	Bushing, Aperture Plate Drive
30	SHC6x.625	Socket Head Cap Screw 6-32 x 5/8
31	9003331	Nut, Intermittent Shoe Pressure Adjustment
32	SGXLIP	Spring, Intermittent Shoe Pressure
33	SCBH6x.250	Screw, Socket Button Head 6-32 x 1/4"
34	9003329	Intermittent Shoe
35	9003319	Shaft, Gate Support

<u>Item #</u>	<u>Part#</u>	<u>Description</u>
36	SG.375 x 1.5	Spring, Gate Separating
37	9003317	Mounting Base
38	9003321	Catch Plate
39	FHCS6x.25	Screw, Socket Flat Head 6-32 x 1/4"
40	9003312	Band, Gate
41	9003326	Shaft, Gate Righting
42	8907183	Screw, Brass Tipped Set
43	8907196	Bar, Gate Band Tension
44	DP.062x.25	Pin, .0625" x .250"
45	SP2x.125	Screw, 2-56 x .125"
46	9003313	Gate Catch Plunger Assembly
47	9003311	Bracket, Gate Shoe
48	9003318	Slide, Gate Shoe
49	9003322	Cap
50	SHC8x.5	Socket Head Cap Screw 8-32 x 1/2"
51		
52	9003328	Base, Intermittent Shoe Mounting
53	9003330	Cup, Intermittent Tension Spring
54		Stud, Intermittent Shoe Mounting