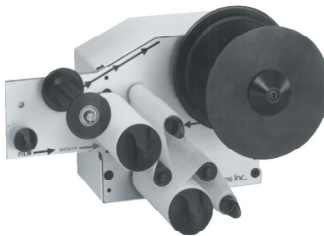
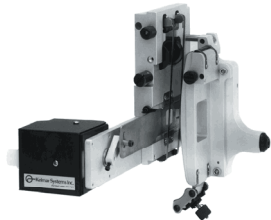
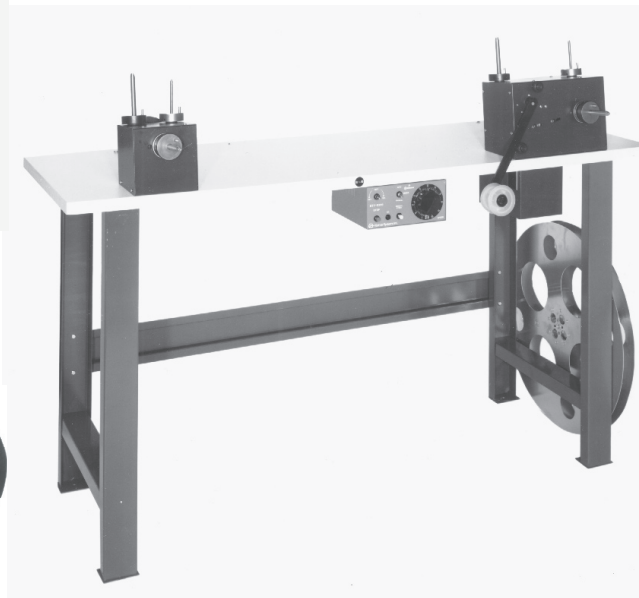
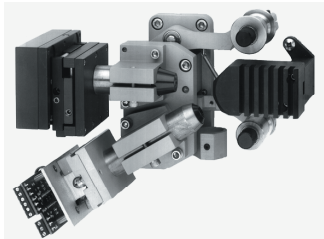




2007 Price List

Effective February 1, 2007



AUTOMATION SYSTEMS □ DIMMERS □ DOLBY® DIGITAL BASEMENT READERS □ ADVANCED TECHNOLOGY ANALOG READERS □ FILM GUIDANCE
REWIND INSPECTION SYSTEMS □ PROJECTOR UPGRADES □ SOUND SYSTEMS □ PROJECTION PORT FRAMES

KELMAR SYSTEMS INC., 284 BROADWAY, HUNTINGTON STATION, NY 11746
PHONE 631-421-1230 FAX 631-421-1274

www.kelmarsystems.com



284 Broadway, Huntington Station, NY 11746 • 631.421.1230 • FAX 631.421.1274
Website kelmarsystems.com, E-mail sales@kelmarsystems.com, info@kelmarsystems.com

Table of Contents

Automation Systems

Series VII Ultra Deluxe System	3
Series IV Automation System	4

Automation Accessories

Digital Cue Applicator.....	5
Digital Cue Detection Systems.....	5
Standard Cue Detection Systems.....	5
Remote Status Indicator Systems	6
Interlock Control Module	7
Remote Control Module	7
Show Start Timer.....	7
Sync Selector Systems	7

Film Handling Equipment & Accessories

7000 Series Reel Arm and Platter Guidance Roller Systems.....	8
7000 Series Reel Arm Systems for 35/70 MM and Platter Guidance Roller Systems	9
8000 Series Reel Arm and Platter Guidance Roller Systems.....	10
Interlock Loop Accumulator and Guidance Roller Systems	11
Film Cleaning and Conditioning Equipment	12
Anti-static Platter Kits	13
Rewind Inspection Systems and Accessories	14-16

Audio Systems

Kelmar/Dolby® Digital/Analog Basement Reader.....	17
Advanced Technology Red LED Analog Systems for Cyan Soundtracks.....	18
Speaker Termination Panel.....	19
The Docker for Digital Penthouses	19
Audio System & Components.....	20
Solar Cells.....	21

Physical Plant Equipment

Porthole Sleeve Assembly.....	22-23
Video Projector Shelf	23
Lighting Control Systems.....	24-26
Dimmer Remote Control Systems.....	27

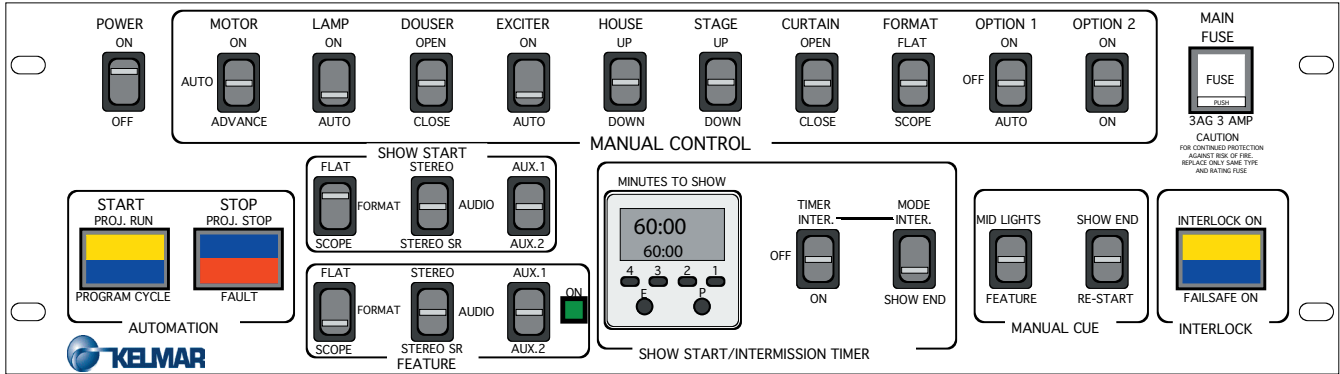
Projector Upgrade Systems

Automatic Retrofit Gate/Trap and Turret Systems.....	28
Manual Retrofit Gate/Trap and Turret Systems	29
Changeover/ Douser Systems.....	30

All prices shown are suggested list. Prices are subject to change without notice.

Automation Systems

Series VII Automation



Introducing the Series VII Automation, the compact design, proven reliability, and competitive pricing makes this Automation the logical choice for today's multiplex theater. Available in either Console or Wall Mounted package to suit your needs. UL Listed to satisfy local inspectors. The modular design and layout make installation in either configuration simple and straightforward. We have incorporated the features you need to make operation and presentation of your show effortless and consistent show after show.

NEW FEATURES

- Digital LED Start/ Intermission Timer
- A Unique Film Advance Circuit for Film Run Down
- Format Pre-selects for both Opening and Feature Sequence
- Remote Status Outputs for Either Remote Status Systems as shown on Page 6 of this catalog
- Low Voltage Xenon Lamp Control Circuit

STANDARD FEATURES

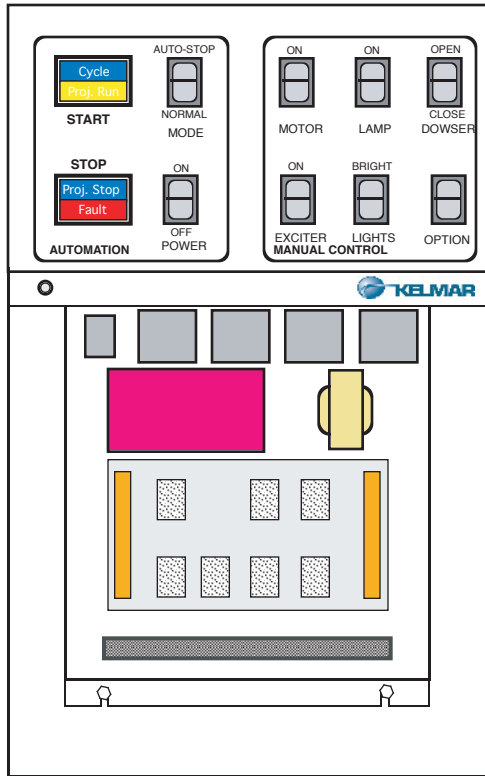
- 2 Wire Interlock
- 3 Function Digital Cue Detection Easily Upgradeable to 7 Functions
- Full Manual Back-up Controls for all Projector and Auditorium Functions
- Low Voltage Panic Interface
- Multizone Lighting Control
- Modular Design for Ease of Service

Series VII-CM	Console Mount Automation with Start/ Intermission Timer	\$ 2,550.00
Series VII-CM/LC	Console Mount Automation without Start/ Intermission Timer	2,450.00
Series VII-WM	Wall Mount Automation with Start/ Intermission Timer	2,650.00
Series VII-WM/LC	Wall Mount Automation without Start/ Intermission Timer	2,550.00

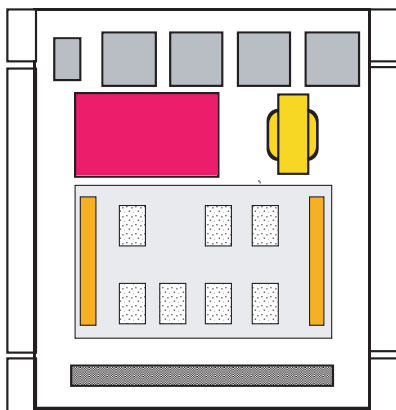
7C-UG 7 Function Cue Up-grade \$ 145.00

When ordering, please add -AB to part number for American Cue Detector Mounting Bracket or -V5 for Cinemeccanica V-5.

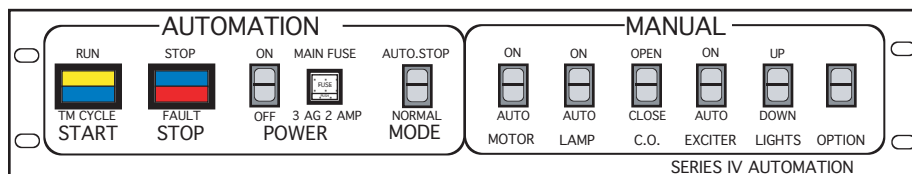
Automation Systems



WALL MOUNT VERSION



CONSOLE MOUNT VERSION



Series IV Automation System

Incorporating the same integrity and proven features that have made Kelmar Automations the reference standard system, this low-cost unit fills the need for a first-class, easy-to-install, totally reliable system for less complex installations. This Automation handles all Projector functions, as well as, Basic audio formats and auditorium control, but can be expanded to fill most needs of more complex installations. The modular design of the automation incorporates full digital cue detection as a standard feature, along with the essential automatic and manual control functions for domestic and foreign projection systems. Full schematics and easy to follow installation instructions complement this "best buy" program. Also available in console-mount version.

STANDARD FEATURES

- 3 Function Digital Cue Detection
- Full Manual Back-up Controls for All Projector Functions
- 3 User Addressable, Multi-Function Expansion Circuits

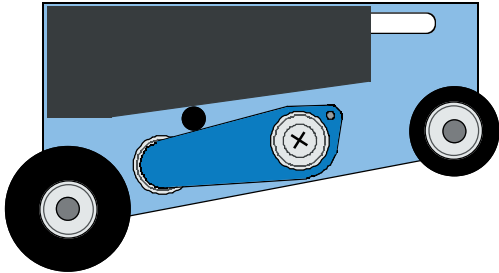
Series IV-WM	Wall Mount Automation System.....	\$1,700.00
Series IV-CM	Console Mount Automation System.....	\$1,590.00
Series IV-CM-ORC	Console Mount Automation System FITS OLDER STYLE ORC CONSOLES.....	\$ 1,600.00

7C-UG 7 Function Cue Up-grade \$ 145.00

When ordering, please add -AB to part number for American Cue Detector Mounting Bracket or -V5 for Cinemeccanica V-5.

Available Options: See Page 5

Automation Accessories



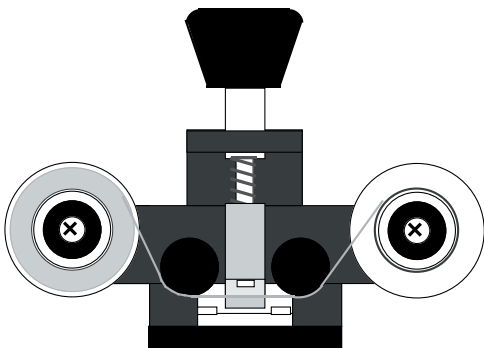
Digital Cue Detection Systems

UDH-2-3503-AB (3 function)	Digital 35mm 2 Sensor Cue Detector/Failsafe Assembly, complete with 7940 Electronic Decoder Board and American Bracket	\$ 585.00
UDH-2-3507-AB (7 function)	Digital 35mm 2 Sensor Cue Detector/Failsafe Assembly, complete with 7940 Electronic Decoder Board and American Bracket	655.00
UDH-2-2070/2H	As above, except 70mm	***
UDH-2-2070/3H	As above, except 70mm	***

Brackets are available for Cinemeccanica V4, V5, V8

Digital Cue Conversion Systems

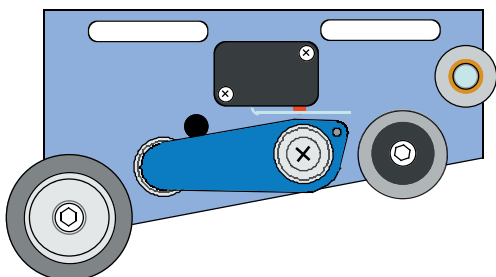
UDH-2-2300/2HC	35mm 2 Sensor Digital Cue Conversion Kit complete with 7940 Electronic Decoder Board for converting Older Ball Bearing Cue Detector	\$ 415.00
UDH-2-2300/2HC/70	35/70mm 2 Sensor Digital Cue Conversion Kit complete with 7940 Electronic Decoder Board for converting Older Ball Bearing Cue Detector ...	***



Digital Cue Applicator

The automatic Digital Cue Applicator places small aluminized mylar cues exactly where they should be on the frame line for Kelmar Style Cue Detectors or on the Edge and Center of the film for others. A roll of 1/2" wide tape contains approximately 1800 individual cues. The applicator ensures flawless operation of our digital cue detector and its associated automation system.

DCA-KS/35	35mm Digital Cue Applicator for Kelmar	\$ 400.00
DCA-ER/35	35mm Digital Cue Applicator for Others	405.00
KCF-12	Roll of 1/2" Cue Foil	7.00
KCF-316	Roll of 3/16" Cue Foil	7.00



Standard Cue Detection Systems

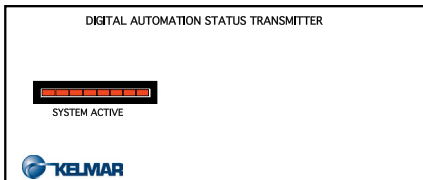
UDH-1-100/132	Universal 35mm Cue Detector Failsafe with American Bracket	\$ 300.00
UDH-1-160/132	Universal 35mm Triple Cue Detector/Failsafe with American Bracket	385.00
7887	Electronic Cue Enhancer Board, improves the performance of the above units.	150.00

Brackets are available for Cinemeccanica V4, V5, V8

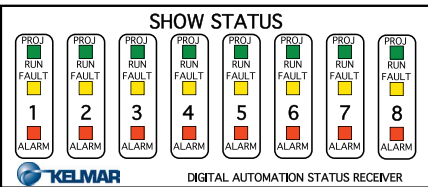
*** Please contact Kelmar Systems Inc. for Pricing and Availability ***

Automation Accessories

Digital Status Indicator Systems



The Kelmar Digital Status Indicator System is economical, easy to install and maintenance-free. The large high intensity four element LED displays provide outstanding color rendition from all viewing angles. An audible alarm directs your attention to the Alarm Display.

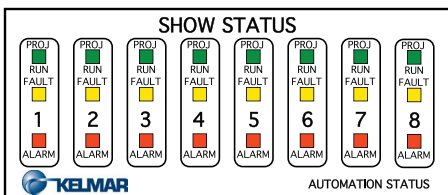


The system is comprised of two units, the first being the Transmitter Module which processes the information for RUN, FAULT, and FILM BREAK for up to 8 Automation Systems. This information is sent to the following system which is the Receiver/Display Module via a 2 cond. # 20 Shielded cable. The Display Modules may be hooked up in a Series or Series /Parallel configuration.

The attractive cabinet measures 6" high x 15" wide and 3-1/2" deep. It is available in either a straight or sloped front design that adapts to wall, ceiling or back to back applications.

The Display Module is available with numbering of 1-8, 9-16 and 17-24.

DST-8	8-Theatre Status Transmitter	\$ 600.00
DSR-1/8	8-Theatre Status Receiver-Display Numbered 1-8	500.00
DSR-9/16	8-Theatre Status Receiver-Display Numbered 9-16	500.00
DSR-17/24	8-Theatre Status Receiver-Display Numbered 17-24.....	500.00

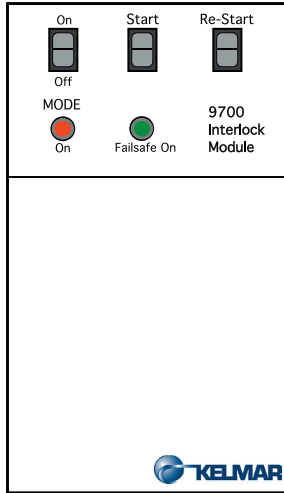


Analog Status Indicator Systems

This is a conventional hardwire system. Available with straight or sloped front panels of 8 to 24 stations, these eight-theatre modules can be numbered 1-8, 9-16 or 17-24. High intensity LED's indicate run, fault or film break; annunciator calls out the fault condition. Older systems require one 7878 Status/Alarm Interface Board per automation.

9558-S	8-Theatre, Straight	\$ 500.00
9558-A	8-Theatre, Sloped / Angled	520.00
7878	Status/Alarm Interface Board	80.00

Automation Accessories

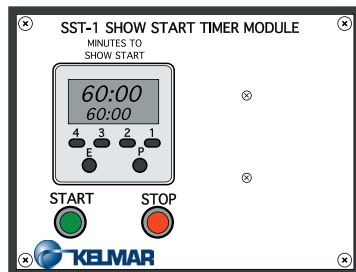


Simple Interlock Module

This item is a self-contained economical Interlock Module for use with our Series IV Automation, as well as, with Christie AM-3,4,5,7,8, and 9 packages, and Xetron MAXI-7,8,10 series systems. It provides all logic and control functions for the systems to be used in a Multiple Bus 2 wire Configuration and has the ability to mix and match the aforementioned automation systems in any combination for total interlocking flexibility.

The module is packaged in either an attractive sloped top Wall Mount Enclosure or Console Mount Panel. The dimensions for the Wall Mount Cabinet are 6" wide x 9 1/2" high x 4" deep. The dimensions for the Console Panel are 3 1/2" high x 19" wide. The 9700 module incorporates low voltage logic and is powered by its host automation. A set of thoroughly documented instructions and schematics are included with each unit for ease of installation.

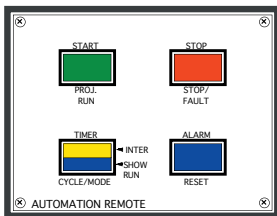
9700-IL/WM	Simple Interlock Module Wall Mount.....	\$ 440.00
9700-IL/C	Simple Interlock Module Console Mount.....	410.00



Digital Show Start Timer

Provides pre-selectable, automatic starting time for the Christie AM-3, AM-5, AM-7, AM-8 and AM-9. It also interfaces with Xetron MAXI-7X, MAXI-8X and MAXI-10X systems. It is ideal for use with the Kelmar Series III or IV automation systems. The attractively packaged unit works equally as well in any convenient location. Also available in console mount on a 3-1/2" x 19" rack panel (please specify console manufacturer when ordering).

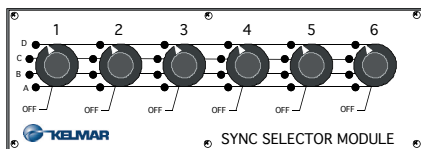
SST-1WM	Show Start Timer Wall Mount.....	\$ 375.00
SST-1C	Show Start Timer Console Mount.....	370.00



Remote Control Module

Provides illuminated start and stop controls, together with a fault indicator and annunciator. Works with Kelmar Series II, III, IV, V, VI, and VII. Christie AM3, 4, 5, 7, 8, 9, 10. and Xetron Maxi-7X, Maxi-8X and Maxi-10X.

RCM-1	Remote Control Module	\$ 340.00
-------	-----------------------------	-----------



Sync Selector Systems

Provides flexible grouping of interlocked projectors by utilizing 4 independent busses.

8527-6	6 Theatre Sync Selector Module	\$ 350.00
--------	--------------------------------------	-----------

Film Handling Equipment & Accessories



RSA-7000-1

7000 Series Reel Arm Systems

RSA Systems for standard reel to reel operation

Each set includes one upper arm, one lower arm, bypass rollers, belt tightener assembly, belt kit, hardware and instructions, for use with all standard American soundheads.

RSA-7000-1	1/2" shafts	\$ 640.00
RSA-7000-2	5/16" shafts.....	640.00



PGS-7000-1

PGS Systems for Platter Type Film Delivery

Each set includes one upper arm, one lower arm, two universal swivel rollers, bypass rollers, belt tightener assembly, belt kit, hardware and instructions, for use with all standard American soundheads.

PGS-7000-1	1/2" shafts	\$ 845.00
PGS-7000-2	5/16" shafts.....	845.00



PGS-730110

Film Guidance Hardware for 7000 Series

PGS-730110	Two 35mm universal swivel rollers complete with mounting studs to convert an RSA to a PGS set	\$ 240.00
PGS-730111	Two 70mm universal swivel rollers complete with mounting studs	300.00
PGS-730112	Two 35mm and two 70mm universal swivel rollers with one common set of mounting studs	515.00



PGS-730110-E

Film Guidance Hardware for Wall or Surface Mounting

PGS-730110-E	Two 35mm universal swivel rollers complete with mounting studs and pads for wall mounting	\$ 275.00
PGS-730111-E	Two 70mm universal swivel rollers complete with mounting studs and pads for wall mounting	335.00
PGS-730112-E	Two 35mm and two 70mm universal swivel rollers with one common set of mounting studs and pads for wall mounting	550.00
7612037	Fixed 35mm guidance and keeper roller, extension shaft and all-purpose mounting plate.....	105.00
7612035-C	Fixed 35mm film guidance and keeper roller, complete with right angle bracket for ceiling mounting.....	120.00

Film Handling Equipment & Accessories



Shown with optional 35MM Shaft ends

RSA Systems for 35/70 reel to reel operation

Each set includes one 35/70 upper arm complete with adaptor plate, one 35/70 lower arm, 70mm 1/2" shafts only, bypass rollers, belt tightener assembly, belt kit, hardware and instructions.

RSA-7000-5	for Simplex 35/70	\$ 945.00
RSA-7000-6	for Century 35/70	945.00

PGS Systems for 35/70 platter type film delivery

Each set includes one 35/70 upper arm c/w adaptor plate, one 35/70 lower arm, 70mm 1/2" shafts only, 35/70 film guidance rollers, bypass rollers, belt tightener assembly kit, hardware and instructions.

PGS-7000-5	for Simplex 35/70	\$ 1,375.00
PGS-7000-6	for Century 35/70	1,375.00

Parts to convert 35/70 systems to 35mm capability

720314	5/16" 35mm Shaft End	\$ 160.00
720315	1/2" 70mm Shaft End	160.00
720317	1/2" 35mm Shaft End	160.00
720319	9mm Shaft End	190.00
720394	17.5mm Spacer (required with 720314, 720317 and 720319)	40.00
720576	35/70 Bypass Roller Assembly	77.00
BELTKIT	Drive Belt Replacement Kit for Reel Arms	21.00

Film Handling Equipment & Accessories



RSA-8000-1

8000 Series Reel Arm Systems

RSA Systems for standard reel-to-reel operation

Each set includes one upper arm, one lower arm, bypass rollers, belt kit, hardware and instructions

RSA-8000-1	1/2" shafts	\$ 530.00
RSA-8000-2	5/16" shafts	530.00
RSA-8000-0-35	Less spindles and clutches, for 35mm.....	370.00
RSA-8000-0-70	Less spindles and clutches, for 70mm.....	575.00

BELTKIT	Drive Belt Replacement Kit for Reel Arms	21.00
---------	--	-------



PGS-8000-1

PGS Systems for platter type film delivery

Each set includes one upper arm, one lower arm, two guidance and keeper rollers, bypass rollers, belt kit, hardware and instructions

PGS-8000-1	1/2" shafts	\$ 690.00
PGS-8000-2	5/16" shafts	690.00
PGS-8000-0-35	Less spindles and clutches, for 35mm.....	555.00
PGS-8000-0-70	Less spindles and clutches, for 70mm.....	785.00



PGS-830110-E

Film Guidance Hardware for 8000 Series

PGS-830110	Two 35mm guidance and keeper rollers complete with mounting studs to convert RSA set to a PGS set	\$ 225.00
PGS-830111	Two 70mm guidance and keeper rollers complete with mounting studs	275.00
PGS-830112	Two 35mm and two 70mm guidance and keeper rollers with one common set of mounting studs	470.00



8408240-2

Film Guidance Hardware for wall or surface mounting

PGS-830110-E	Two 35mm guidance and keeper rollers complete with mounting studs and pads for wall mounting	\$ 260.00
PGS-830111-E	Two 70mm guidance and keeper rollers complete with mounting studs and pads for wall mounting	310.00
PGS-830112-E	Two 35mm and two 70mm guidance keeper rollers with one common set of mounting studs and pads for wall mounting ..	490.00

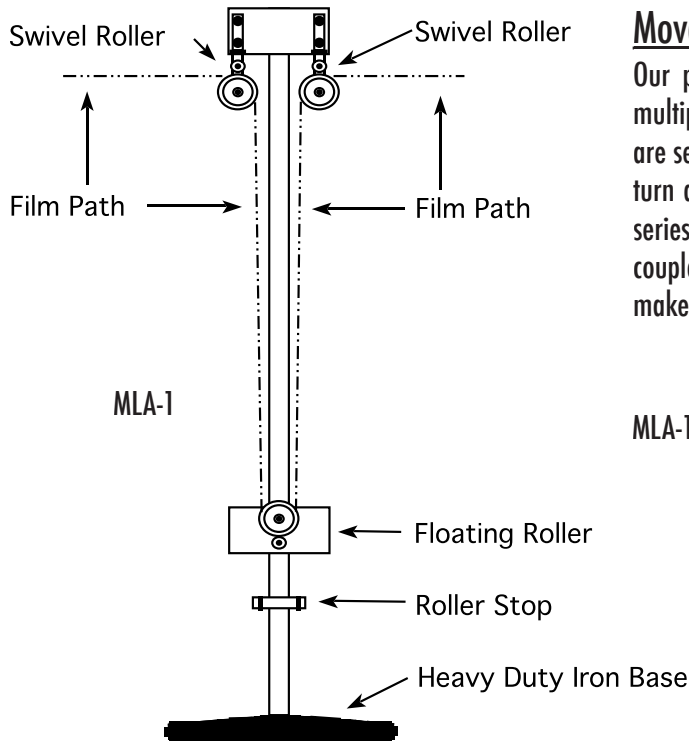
Super Guides for use where reel to reel operation is not required

Each set includes one upper and one lower double swivel transfer arm, complete with mounting pads, ball bearing adjustable bypass rollers and mounting hardware

8408240-2	35mm Super Guides	\$ 355.00
-----------	-------------------------	-----------

Film Handling Equipment & Accessories

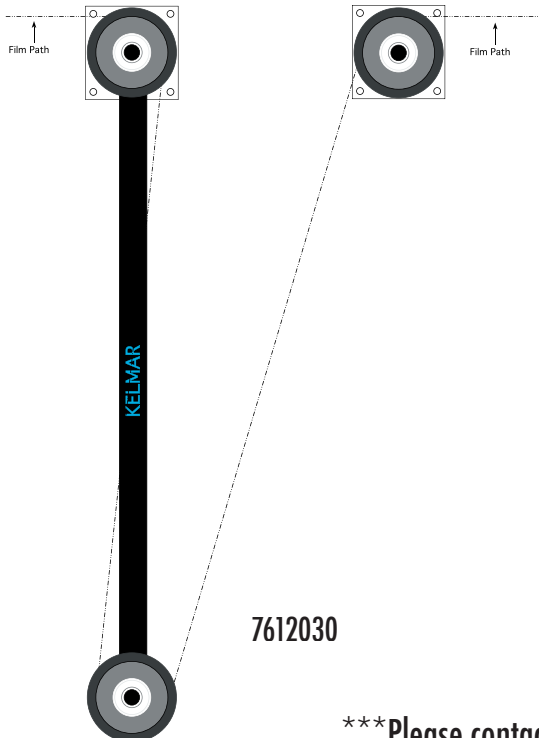
Interlock Loop Accumulators



Movable Loop Accumulator

Our portable film transfer/loop accumulator from Kelmar is the perfect multiplex accessory. The large, wide flange ball bearing guide rollers are self-aligning and static free. Film transfer is effortless and can even turn around corners without loading. Three or more units can work in series for those long range assignments. The modest price of this system coupled with the quality of components and outstanding performance make this product a best buy.

MLA-1 35mm Portable film loop accumulator \$ 530.00
 *** 70mm Version is available ***



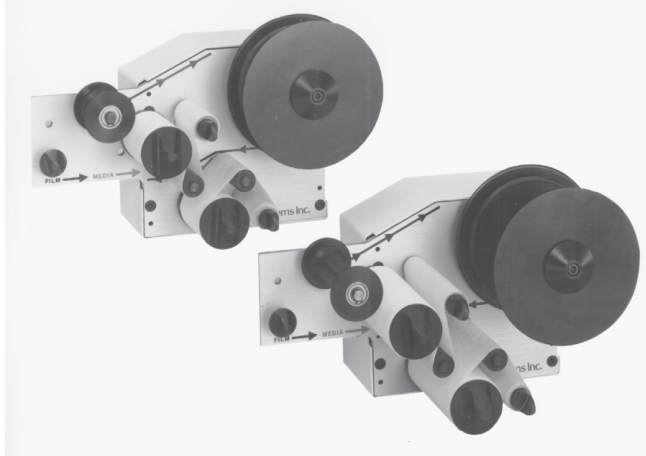
Fixed Film Loop Accumulator

35mm wall mount film loop accumulator, used for interlock operation, keeps tension on film between projectors.

7612030 35mm Wall mount film loop accumulator \$ 260.00
 7612030-C 35mm Ceiling mount film loop accumulator..... 305.00
 *** 70mm Version is available ***

Please contact Kelmar Systems Inc. for Pricing and Availability

Film Handling Equipment & Accessories



Film Cleaner Equipment

Automatic Film Cleaner, a self powered dual media system, mounts on all standard projectors or film delivery systems, complete with mounting bracket, one set of media and hardware.

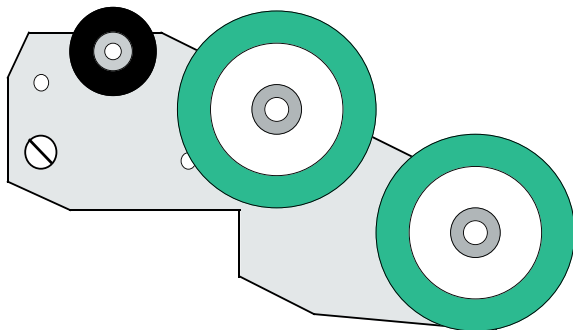
8400/35-A	35mm, with Autowind/Platter Bracket ...	\$ 695.00
8400/35-P	35mm, with Projector Bracket	695.00
8400/35	35mm, without Mounting Bracket	645.00
8400/70-A	70mm, with Autowind Bracket	***
8400/70-P	70mm, with Projector Bracket	***

Film Cleaner Accessories

7508229	35mm Autowind Bracket.....	80.00
7508230	35mm Projector Bracket	80.00
7508317	70mm Autowind Bracket.....	***
7508330	70mm Projector Bracket	***
7508277-3	V5 and V8 Adapter Plate	62.50
7508315	35mm Adapter Plate, for 70mm Cleaner.....	57.50
7508212	70mm White Cleaning Media (6 sets)	41.00
7508213	35mm White Cleaning Media (8 sets)	31.00
7508215	70mm Green Cleaning Media (6 sets).....	57.00
7508216	35mm Green Cleaning Media (8 sets).....	41.50

White Media has 5 Yards per spool
 Green Media has 8 Yards per spool

ALL CLEANING MEDIAS ARE TREATED
 WITH ANTI-STATIC COMPOUND



Film Conditioning System

The Film Conditioning System is a low cost, effective product that maintains image quality and performance. It is portable, works in any position and mounts on all projectors or film delivery systems. The Kodak PTR rollers snap off for easy cleaning. Stainless steel and anodized aluminum construction guarantees many years of maintenance-free satisfaction.

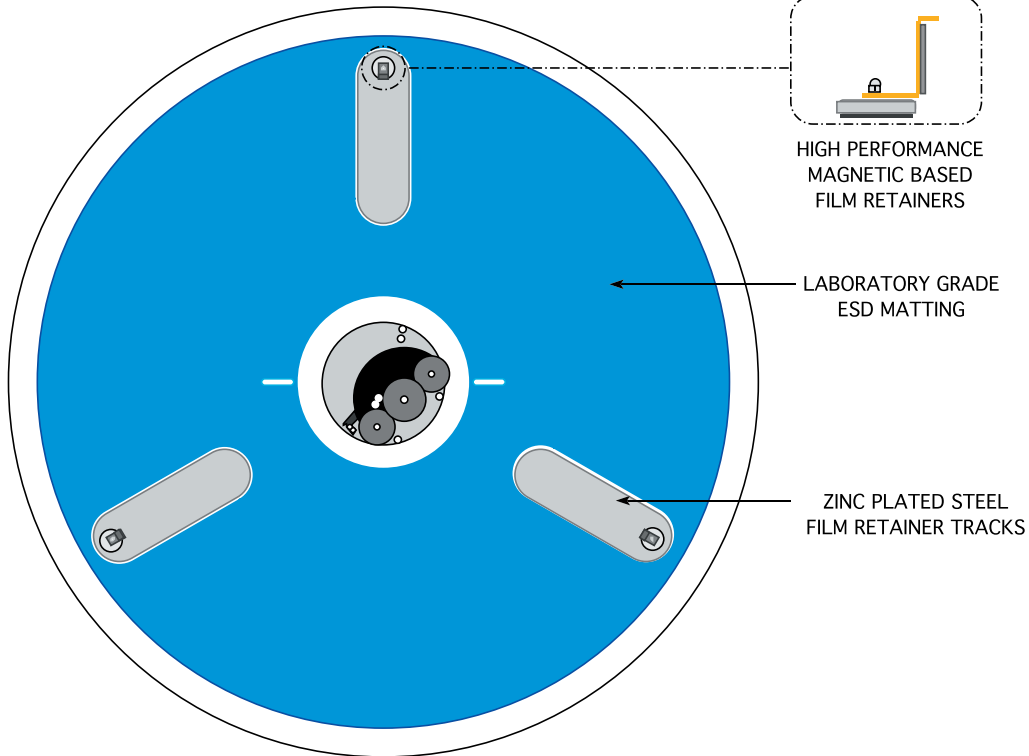
Requires either 7508229 or 7508230 mounting brackets unless you also own the Film Cleaner, in which case you can use its mounting bracket(s).

KPTR-35	35mm Film Conditioning System.....	\$ 400.00
KPTR-70	70mm Film Conditioning System.....	***
KPRR-35	35mm Replacement Roller	105.00

*** Please contact Kelmar Systems Inc. for Pricing and Availability ***

Film Handling Equipment & Accessories

The "Matt" patent applied for



The "Matt" System from Kelmar incorporates proven innovative technology to address a costly industry-wide problem.

Polyester film develops a static charge through the scuffing action of the rotating platter disk against the edge of the film during take-up. The built-up charge creates a number of irregularities in the linear delivery of the film to the projector.

The "Matt" System utilizes laboratory-grade electrostatic discharge media to provide a protective barrier between the film and the surface of the platter. The multi-layer mat absorbs static through its surface layer and dissipates it through its base to system ground. The non-skid surface is free from abrasive compounds and adds controlled reluctance to the delivery of the film to the feed out assembly.

The "Matt" is registered in place and driven by tracks that provide a rock-solid base for positive magnetic keepers that perform under the most demanding conditions.

The system installs without tools or modification to the platter in just minutes. It is maintenance-free and will provide years of trouble-free service – the return on investment is outstanding.

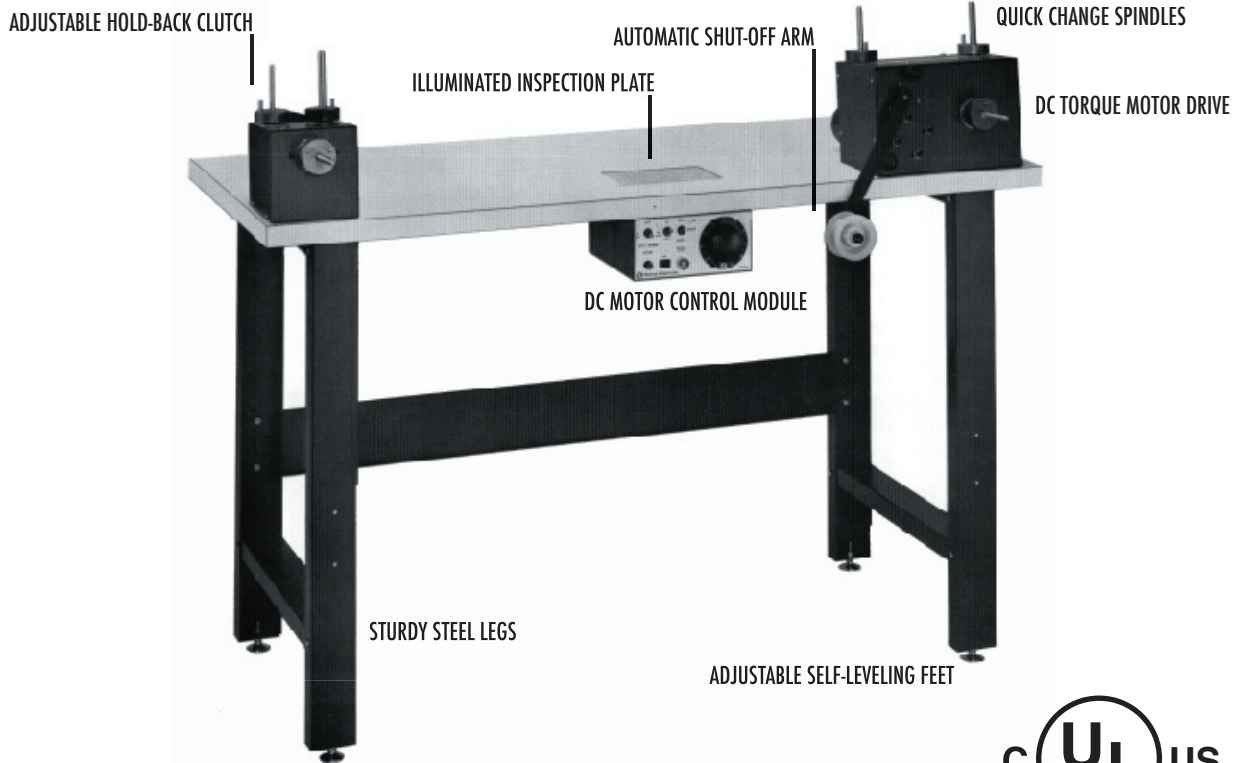
MS-2D	MATT System for Two Platter Decks	***
MS-1D	MATT System for One Platter Deck	***
MR-1D	Magnetic Retainer Kit for One Platter Deck.....	***

*** Please contact Kelmar Systems Inc. for Pricing and Availability ***



284 Broadway, Huntington Station, NY 11746 • 631.421.1230 • FAX 631.421.1274
Website kelmarsystems.com, E-mail sales@kelmarsystems.com, info@kelmarsystems.com

Film Handling Equipment & Accessories



Standard Rewind Inspection Systems

(shown)

RTV-8900A

Deluxe DC Drive Variable Speed Rewind/Inspection System, with reversible powerhead, programmable control, automatic shutoff, and a built-in illuminated inspection plate, complete with a 24" x 60" x 1¹/₂" mica covered table including sturdy steel legs and crossbrace.

RTV-8900B

As above but features a slim line mica covered table, 14" x 60" x 1¹/₂", for use in restricted space applications.

Dual Drive Rewind Inspection Systems

RTV-8900-2A

Dual Drive System, with both left and right head assemblies fully powered and reversible, programmable control, automatic shutoff, and a built-in illuminated inspection plate, complete with a 24" x 60" x 1¹/₂" mica covered table including sturdy steel legs and crossbrace.

RTV-8900-2B

As above but features a slim line mica covered table, 14" x 60" x 1¹/₂", for use in restricted space applications.

Please see page 15 for System Ordering information, and page 16 for accessories.



284 Broadway, Huntington Station, NY 11746 • 631.421.1230 • FAX 631.421.1274
 Website kelmarsystems.com, E-mail sales@kelmarsystems.com, info@kelmarsystems.com

Film Handling Equipment & Accessories

Standard Rewind Inspection Systems

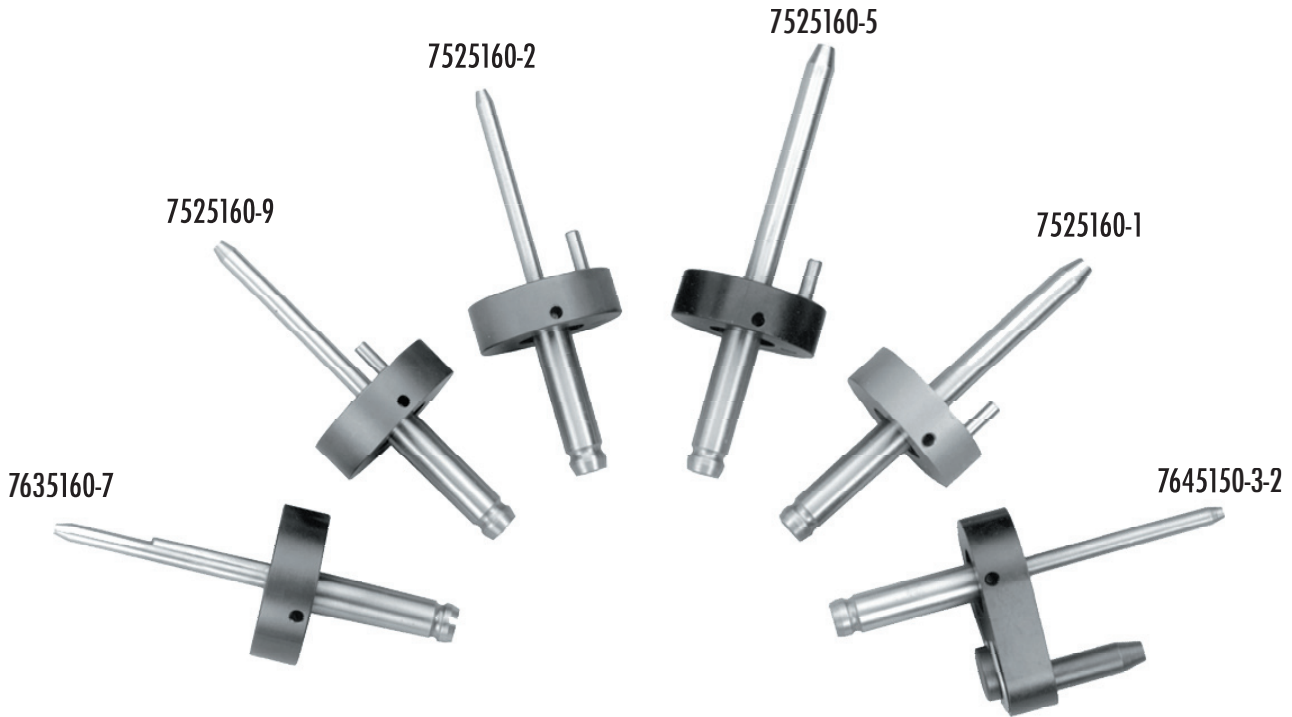
RTV-8900A-5/16	Standard System with Full Size Table, c/w (2) 7635160-4 5/16" shafts with drive key and (2) 7525160-2 5/16" shafts with drive pin.....	\$ 2,825.00
RTV-8900A-1/2	Standard System with Full Size Table, c/w (2) 7635160-4 5/16" shafts with drive key and (2) 7525160-1 1/2" shafts with drive pin	2,825.00
RTV-8900A-220-5/16	Standard System with Full Size Table for 220 Volt Operation, c/w (2) 7635160-4 5/16" shafts with drive key and (2) 7525160-2 5/16" shafts with drive pin.....	2,950.00
RTV-8900A-220-1/2	Standard System with Full Size Table for 220 Volt Operation, c/w (2) 7635160-4 5/16" shafts with drive key and (2) 7525160-1 1/2" shafts with drive pin	2,950.00
RTV-8900B-5/16	Standard System with Slim Line Table, (2) 7635160-4 5/16" shafts with drive key and (2) 7525160-2 5/16" shafts with drive pin.....	2,825.00
RTV-8900B-1/2	Standard System with Slim Line Table, c/w (2) 7635160-4 5/16" shafts with drive key and (2) 7525160-1 1/2" shafts with drive pin	2,825.00
RTV-8900B-220-5/16	Standard System with Slim Line Table for 220 Volt Operation, c/w (2) 7635160-4 5/16" shafts with drive key and (2) 7525160-2 5/16" shafts with drive pin.....	2,950.00
RTV-8900B-220-1/2	Standard System with Slim Line Table for 220 Volt Operation, c/w (2) 7635160-4 5/16" shafts with drive key and (2) 7525160-1 1/2" shafts with drive pin	2,950.00

Dual Drive Rewind Inspection Systems

RTV-8900-2A-5/16	Dual Drive System with Full Size Table, c/w (2) 7635160-4 5/16" shafts with drive key and (2) 7525160-2 5/16" shafts with drive pin.....	\$ 3,285.00
RTV-8900-2A-1/2	Dual Drive System with Full Size Table, c/w (2) 7635160-4 5/16" shafts with drive key and (2) 7525160-1 1/2" shafts with drive pin	3,285.00
RTV-8900-2A-220-5/16	Dual Drive System with Full Size Table for 220 Volt Operation, c/w (2) 7635160-4 5/16" shafts with drive key and (2) 7525160-2 5/16" shafts with drive pin.....	3,425.00
RTV-8900-2A-220-1/2	Dual Drive System with Full Size Table for 220 Volt Operation, c/w (2) 7635160-4 5/16" shafts with drive key and (2) 7525160-1 1/2" shafts with drive pin	3,425.00
RTV-8900-2B-5/16	Dual Drive System with Slim Line Table, c/w (2) 7635160-4 5/16" shafts with drive key and (2) 7525160-2 5/16" shafts with drive pin.....	3,285.00
RTV-8900-2B-1/2	Dual Drive System with Slim Line Table, c/w (2) 7635160-4 5/16" shafts with drive key and (2) 7525160-1 1/2" shafts with drive pin	3,285.00
RTV-8900-2B-220-5/16	Dual Drive System with Slim Line Table for 220 Volt Operation, c/w (2) 7635160-4 5/16" shafts with drive key and (2) 7525160-2 5/16" shafts with drive pin.....	3,425.00
RTV-8900-2B-220-1/2	Dual Drive System with Slim Line Table for 220 Volt Operation, c/w (2) 7635160-4 5/16" shafts with drive key and (2) 7525160-1 1/2" shafts with drive pin	3,425.00

Please contact Kelmar for Custom Size Tables, 16mm and 70mm Systems

Film Handling Equipment & Accessories



7525220

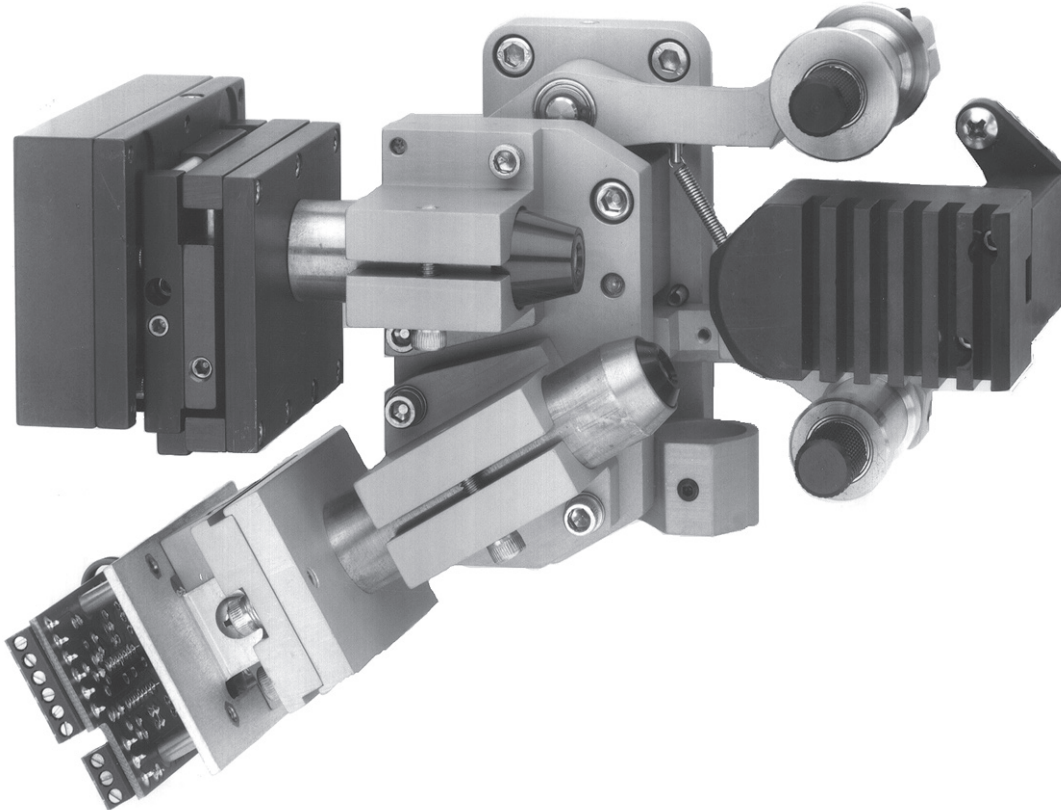


9204030

Accessories for Rewind Inspection Systems

7525160-1	1/2" Shaft, with drive pin (blue).....	\$ 75.00
7645160-3-1	1/2" Shaft, with finger hole drive.....	125.00
7525160-2	5/16" Shaft, with drive pin (red).....	75.00
7645160-3-2	5/16" Shaft, with finger hole drive.....	125.00
7635160-4	5/16" Shaft with drive key.....	75.00
7635160-7	5/16" Shaft, with extended drive key for plastic shipping reels.....	100.00
7525160-5	70mm Shaft with drive pin.....	85.00
7525160-6	16mm Shaft.....	95.00
7525160-9	9mm Shaft, with drive pin.....	95.00
7525220	8" Trailer Flange.....	\$ 78.00
9204030	16" Universal Film Transfer Flange.....	185.00
7713030	Handle for Manual turning of reels.....	67.00
7305227	Mounting Bracket For Neumade Film Machine.....	130.00
7402078	35mm Auto Shutoff Roller, with bearings.....	38.00
7402079	70mm Auto Shutoff Roller, with bearings.....	57.00
7525197	70mm Auto Shutoff Shaft and Spacer.....	33.00
7635217	16mm Auto Shutoff Roller, with bearings.....	40.00

Audio Systems



Kelmar/Dolby® Digital Basement Reader

The new Kelmar Digital/Analog Basement Reader delivers, in one convenient package, flawless four-track analog stereo plus six-track Dolby® Digital performance. Proven design, all solid-state technology, massive heat sinks, conservative power supplies and rugged mechanical components add up to total reliability. The benefits of scanning both formats in a non-penthouse environment without any modification in film threading procedures are tremendous. All systems are thoroughly aligned, pre-focused and certified for your convenience. Field installation is straightforward and predictable. The system comes complete with all power supplies and hardware.

The interface cable between the digital pre-amp and the rack-mount processor is available from Kelmar or Dolby®.

ATD-1274	Century / Westrex.....	\$ 3,175.00
ATD-1274-JJ	Century JJ-2	3,450.00
ATD-1276	Simplex	2,875.00
ATD-1275	RCA.....	3,260.00

Digital Interface Cables

CATD-15	15 Foot Video Cable.....	\$ 115.00
CATD-30	30 Foot Video Cable	160.00
CATD-50	50 Foot Video Cable	220.00



284 Broadway, Huntington Station, NY 11746 • 631.421.1230 • FAX 631.421.1274
 Website kelmarsystems.com, E-mail sales@kelmarsystems.com, info@kelmarsystems.com

Audio Systems Red LED Analog Readers for Cyan Soundtracks



Kelmar Advanced Technology Systems contain an integrated suite of solid state components developed by Dolby® Laboratories Inc. They deliver a quality of analog optical stereo unattainable with conventional hardware. Crosstalk is eliminated and frequency response is flat to 16 KHz. The solid-state light source is conservatively rated for 15,000 hours of operation. The optical assembly features independent, non-interactive adjustments for focus/ azimuth, vertical, and lateral settings. A high reliability switching DC power supply that operates on 80-240 Vac 50-60Hz completes the system. Or you may prefer our NEW DC Conversion Module which facilitates the use of your existing Exciter Supply for further economy.

Direct replacement retrofit systems are available for all major optical reproducers. Field installation is straightforward and standard

DC Power Conversion Module *For use with Existing Exciter Lamp Supply*

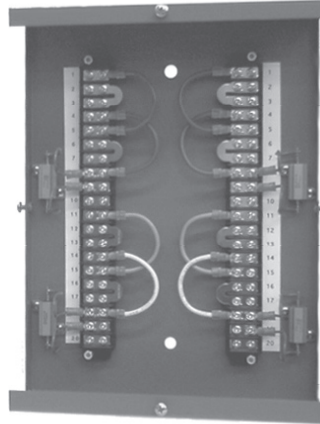
AT-1274-DCPM	Century / Westrex LED Conversion Kit	\$ 710.00
AT-1275-DCPM	RCA LED Conversion Kit	710.00
AT-1276-DCPM	Simplex LED Conversion Kit w/ DC Power Conversion Module.....	710.00
AT-1277-DCPM	Motiograph LED Conversion Kit w/ DC Power Conversion Module	770.00
AT-1279-DCPM	Cinemeccanica V4,5,8,9 LED Conversion Kit w/ DC Power Conversion Module.....	810.00
AT-1283-DCPM	Tokiwa TSR LED Conversion Kit w/ DC Power Conversion Module.....	780.00
AT-1287-DCPM	Ballantyne LED Conversion Kit w/ DC Power Conversion Module	710.00
AT-1289-DCPM	Norelco FP-20 LED Conversion Kit w/ DC Power Conversion Module.....	1,885.00
AT-1297-DCPM	Christie LED Conversion Kit w/ DC Power Conversion Module**	815.00
AT-1298-DCPM	Bauer U3,4 LED Conversion Kit w/ DC Power Conversion Module.....	990.00

Conventional Line Voltage Power Supply Systems

AT-1274	Century / Westrex LED Conversion Kit	\$ 870.00
AT-1275	RCA LED Conversion Kit	870.00
AT-1276	Simplex LED Conversion Kit	870.00
AT-1277	Motiograph LED Conversion Kit	940.00
AT-1279	Cinemeccanica V4,5,8,9 LED Conversion Kit	975.00
AT-1283	Tokiwa TSR LED Conversion Kit	950.00
AT-1287	Ballantyne LED Conversion Kit	870.00
AT-1289	Norelco FP-20 LED Conversion Kit.....	2,050.00
AT-1297	Christie LED Conversion Kit **	995.00
AT-1298	Bauer U3,4 LED Conversion Kit	1,165.00

** Older Christie Soundheads will require the Sound Drum to be replaced with Part# AT-1297-SD210.00

Audio Systems



Surround Speaker Termination Panel

The Kelmar JB-2000 Surround Speaker Termination Panel is a time saving convenience that pays for itself within hours. The Panel is shipped pre-wired for Four Individual Surround Channels. Twenty four Speakers can be fed in a balanced configuration. Precision dummy load resistors accommodate odd numbers of speakers. The enclosure is constructed of heavy gauge steel with all the appropriate KO's in both the top and bottom for efficient installation. The panel can be easily mounted on either the Projection Booth Wall or on the Audio Rack at eye level for ease of installation and service. Clearly marked terminals and easy to follow instructions included with each panel make for a straight-forward and timely installation.

JB-2000-EX
 Surround Speaker Termination Panel.....\$ 260.00



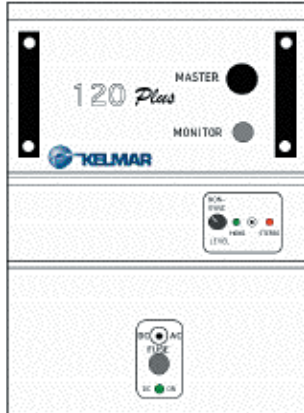
The Docker

The Docker is a winner for the multi-screen theatre complex. Installed on any standard projector without modification, it provides an accurate platform for the mounting of the Dolby® CAT-701,702 Digital Penthouse, BACP Digital Penthouse, DTS Readers, or Sony SDDS Penthouse. Just a few readers will satisfy the booking requirements of the most complex auditorium arrangement.

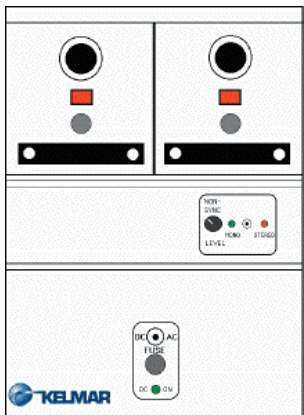
A precision mounting pad attaches to the base of the reader and creates a self-aligning, completely portable system that satisfies Dolby®, BACP, DTS and Sony technology. The Docker incorporates a rugged mounting pad for the support of the guidance hardware, which remains aligned and fixed in place.

9411101 Docker Main Frame Assembly... \$ 360.00
 9411104 Universal Reader Adaptor.....270.00

Audio Systems



AS-1200-2



AS-8200-2

AS-1200-2

A complete 120 watt sound system with DC exciter lamp supply and a linear transducer, a built-in monitor amplifier and speaker with non-sync fade-in module and a built-in automatic stereo/mono level switcher. For use with Century R-3, RCA, Simplex and Motiograph reproducers, especially designed for high power, low efficiency speaker systems.

AS-1200-2 \$ 2,200.00

AS-8200-2

A complete 55 watt dual sound system with DC exciter lamp supply and a linear transducer, a built-in monitor speaker, a non-sync fade-in module and a built-in automatic stereo/mono level switcher, for use with Century R-3, RCA, Simplex and Motiograph reproducers.

AS-8200-2 \$ 2,010.00

7853

This Two-Machine Audio Input Kit is required for those installations with two projectors to ensure proper cell isolation and balance. Please specify when ordering so that the unit may be factory installed in either of the above sound systems for your convenience.

7853 \$ 75.00

Sound System Components

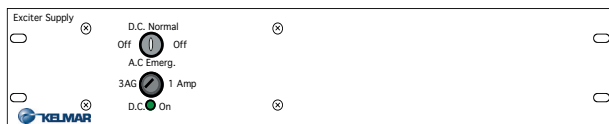
AA-1200	120 Watt Amplifier, c/w Monitor Amplifier	\$ 990.00
AA-8000	55 Watt Amplifier	610.00
8516	Differential Audio Switcher	245.00

Exciter Supplies

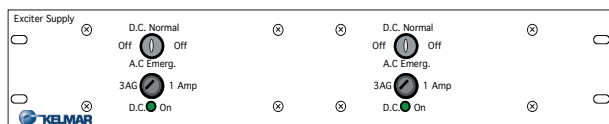
These units feature Adjustable Switching DC Power Supplies and AC emergency back up. Mounted on a 3-1/2" h. standard rack panel. Complete with AC power cord and mounting hardware.

8604-B-SR	Single Rack Exciter Supply	\$ 490.00
8604-B-DR	Dual Rack Exciter Supply	920.00

When ordering please specify if the unit is to be used with Norelco or Cinemeccanica projectors so the proper voltage range can be set.



8604-B-SR



8604-B-DR

Audio Systems



DX-1074



DX-1074



DX-1075

Linear Transducers (Mono)

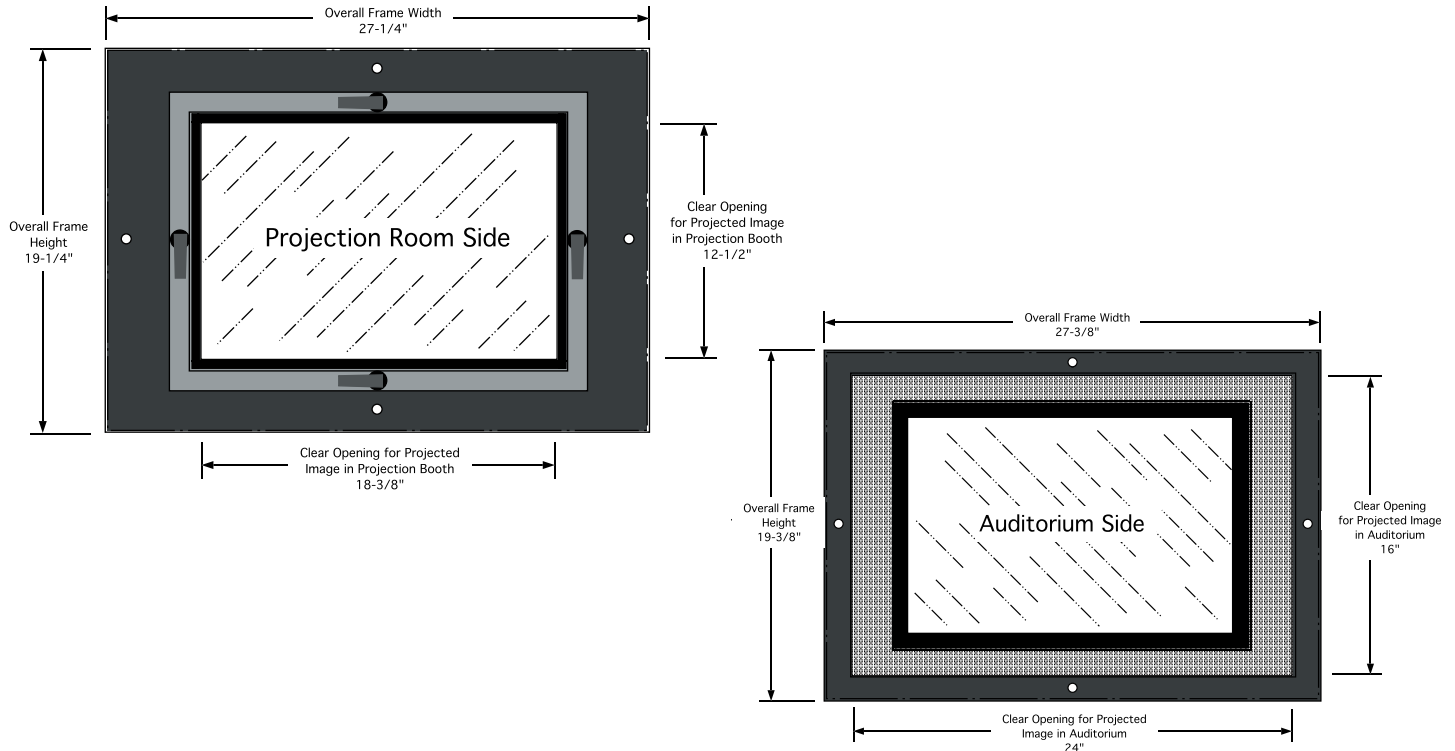
AX-1070	Basic Cell.....	\$ 67.00
AX-1074	Century	88.00
AX-1074/W	Westrex	88.00
AX-1075	RCA	88.00
AX-1076	Simplex.....	88.00
AX-1077	Motiograph.....	88.00

Bilateral Transducers (Stereo)

DX-1071	Stereo Cell Head Assembly ONLY, for Century, RCA, Simplex, Motiograph.....	\$ 93.00
DX-1072	Stereo Cell Head Assembly ONLY, for Cinemeccanica V4, V5 and V8. Norelco DP-75 and FP-20; specify if for FP-20.....	83.00
DX-1074	Century	135.00
DX-1074/W	Westrex	135.00
DX-1075	RCA	135.00
DX-1076	Simplex.....	135.00
DX-1077	Motiograph.....	135.00
DX-1079-1	Cinemeccanica V4	295.00
DX-1079-2	Cinemeccanica V5, V8	295.00
DX-1087	Ballantyne-Model VII	160.00
DX-1088	Norelco DP-75	185.00
DX-1089	Norelco FP-20	185.00
DX-1097	Christie.....	300.00
DX-1099	Century R2, R5, R6	195.00

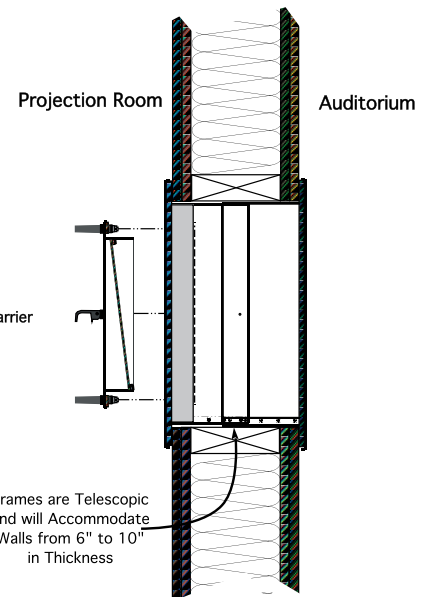
Physical Plant Equipment

Hi-Performance Porthole



The use of short focal length lenses, together with Stadium Seating and projection angles below the horizontal, requires a new set of design requirements for Projection Portholes. This Portframe system consists of attractive telescopic wall sleeves with a clear opening of 16" high and 24" wide. Both Return Trim Flanges incorporate 3/8" thick elastomeric seals to ensure freedom from acoustical leakage. The Dual Sided AR Port Glass® is factory installed with dual isolation media for maximum noise attenuation in an easily removed carrier. Transmission efficiency of the glass is enhanced through double anti-reflective coating.

The Standard assembly provides adequate image clearance for lenses as short as 30mm. The wide angle unit will accommodate lenses down to 24 mm in focal length.



16X24 PORT 16 X 24 3 PC ISO. Portframe Complete with Schneider AR Port Glass
 Rough Opening: 16 1/2" X 24 1/2" \$ 725.00

16X24 PORT/LG 16 X 24 3 PC ISO. Portframe WITHOUT Glass
 Rough Opening: 16 1/2" X 24 1/2" 575.00

Note: Porthole Sleeve Assemblies can be made to your specifications. When ordering, please specify finished interior dimensions, wall thickness and whether the glass is to be supplied by Kelmar or Customer. Please allow 8 to 10 weeks for delivery on custom units.

Physical Plant Equipment

Standard Porthole



A convenient solution to a perennial problem; all welded steel construction with an elastomeric seal ensuring maximum noise attenuation; standard units accommodate wall thickness from 6 to 10 inches and provide a finished appearance for both the projection room and auditorium walls. All units come complete with a glass mounting kit which includes magnetic seals, edge guards

Portholes without Glass

12X14PH	12"W x 14"H No Tilt Rough Opening: 13 1/2" X 15 1/2" Glass Size Required: 11 5/8" X 13 5/8"	\$ 300.00
16X16PH	16"W x 16"H 5 Degree Tilt for Glass Rough Opening: 17 1/2" X 17 1/2" Glass Size Required: 15 5/8" X 15 5/8"	340.00
24X24PH	24"W x 24"H 5 Degree Tilt for Glass Rough Opening: 25 1/2" X 25 1/2" Glass Size Required: 23 5/8" X 23 5/8"	465.00

Note: Porthole Sleeve Assemblies can be made to your specifications. When ordering, please specify finished interior dimensions, wall thickness and whether the glass is to be perpendicular or angular. Please allow 8 to 10 weeks for delivery on custom units.

Portholes with AR Coated Optical Glass

16XT16PH-WG	16"W x 16"H 5 Degree Tilt for Glass Rough Opening: 17 1/2" X 17 1/2"	***
24X24PH	24"W x 24"H 5 Degree Tilt for Glass Rough Opening: 25 1/2" X 25 1/2" Glass Size Required: 23 5/8" X 23 5/8"	***

Note: Porthole Sleeve Assemblies can be made to your specifications. When ordering, please specify finished interior dimensions, wall thickness and whether the glass is to be perpendicular or angular. Please allow 8 to 10 weeks for delivery on custom units.

Video Projector Shelf



Video Projector Shelf

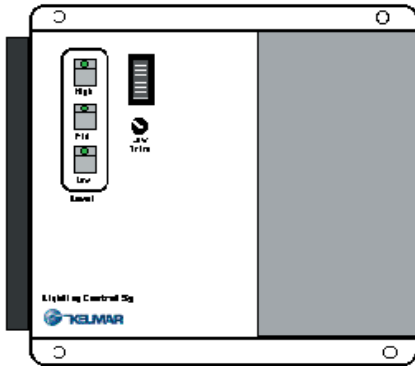
The Video Projector Shelf offers the ultimate in flexibility and strength in a simple, yet, cost effective package. All components are heavy 16 gauge steel, finished with a black epoxy powder coated finish. The shelf is fully adjustable for projecting either on a down or up angle. The shelf is expandable from 15" up to 23-1/2" in width and is a full 19" deep. The supports can be located above or below the shelf to accommodate all current or future projectors. Clear, simple, instructions complete with all necessary hardware to install on all steel

VSPSK-1 Video / Slide Projector Shelf Kit.....\$ 190.00

*** Please contact Kelmar Systems Inc. for Pricing and Availability ***

Physical Plant Equipment

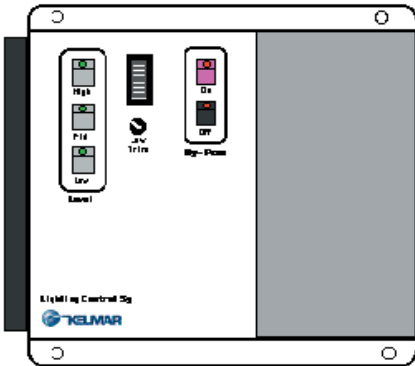
Lighting Control Systems



House Light Dimmer

Incorporates all solid-state logic, modular configuration, toroidal filtering, four independent level presets, variable drive rates with a full complement of local and remote interface controls, a LED bar graph level indicator and our "rainy day matinee" front cover low level trimmer, measures 14"W x 10"H x 5"D.

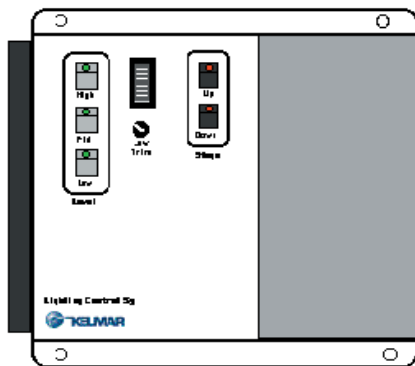
LCSHLD2.4 House Light Dimmer 2.4kw	\$ 875.00
LCSHLD3.6 House Light Dimmer 3.6kw	960.00



Deluxe House Light Dimmer

Provides all of the features of the House Light Dimmer, plus a totally independent emergency bypass system, with a full complement of local and remote interface controls, a LED bar graph level indicator and our "rainy day matinee" front cover low level trimmer, measures 14"W x 10"H x 5"D.

LCSDHLD2.4 Deluxe House Light Dimmer 2.4kw	\$ 1,065.00
LCSDHLD3.6 Deluxe House Light Dimmer 3.6kw	1,145.00



Encore Dimmer

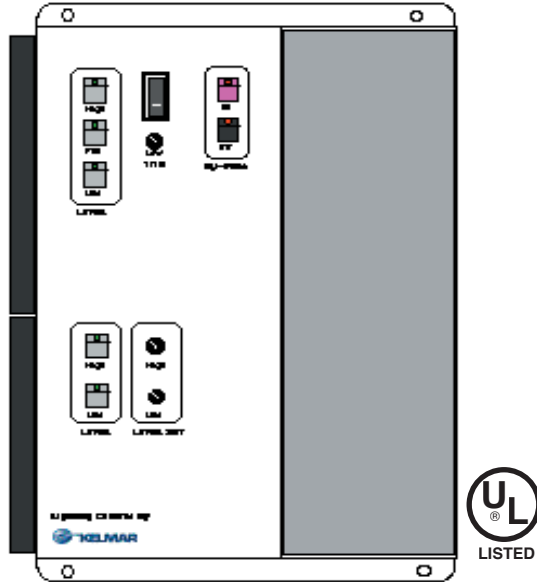
Contains two complete, independent, fully adjustable lighting control systems, a 4- position house unit and 2-position stage unit with a full complement of local and remote interface controls, a LED bar graph level indicator and our "rainy day matinee" front cover low level trimmer, measures 14"W x 10"H x 5"D

LCSED2.4 Encore Dimmer 2.4kw	\$ 1,050.00
LCSED3.6 Encore Dimmer 3.6kw	1,220.00
LCSED3.6/2.4 Encore Dimmer 3.6kw House, 2.4kw Stage	1,135.00

Other Wattages, Operating Voltages and Special Application Lighting
 are available for the above Dimmers.
 Please consult Factory for pricing and availability.

Physical Plant Equipment

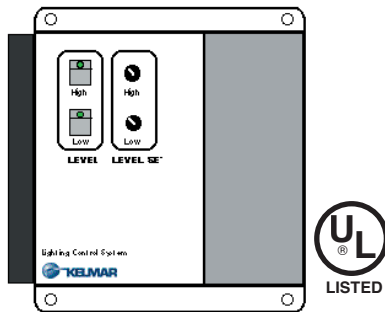
Lighting Control Systems



Showcase Dimmer

Incorporates, in one convenient enclosure, a complete LCS/Deluxe House Light Dimmer with its associated emergency bypass capability and a complete LCS/Universal Dimmer for either stage or wall wash lighting, measures 14"W x 19"H x 5"D

LCSSC2.4 Showcase Dimmer 2.4kw.....	\$ 1,590.00
LCSSC3.6 Showcase Dimmer 3.6kw.....	1,755.00



Universal Dimmer

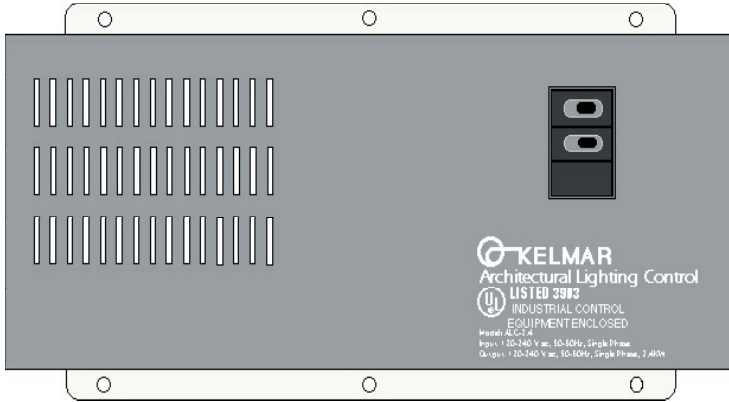
A compact multi-purpose, 2-position system, incorporates individual level presets and drive rates, measures 10 1/2"W X 9"H X 4 1/2"D.

LCSUD2.4 Universal Dimmer 2.4kw	\$ 660.00
LCSUD2.4 Universal Dimmer 3.6kw	735.00

Other Wattages, Operating Voltages and Special Application Lighting
 are available for the above Dimmers.
 Please consult Factory for pricing and availability.

Physical Plant Equipment

Lighting Control Systems



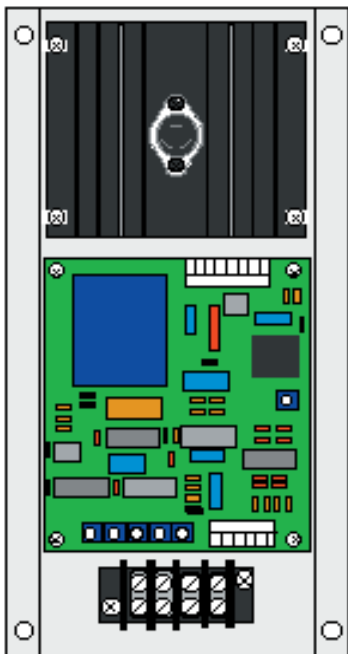
Architectural Lighting Control Systems

The new Architectural Lighting Control System from Kelmar delivers proven, reliable performance in a compact, cost effective package. Three position presets together with individually adjustable up and down rates satisfy all applications. Rapid full level circuitry insures safe illumination levels in just a fraction of a second. A shallow back pan with 3/4" & 1/2" KO's both top and bottom, clearly marked AC Terminal Strip, and easily removable one piece cover guarantees simple, straightforward field installation.

LCS-AS2.4 Architectural Dimmer 2.4kw \$ 570.00

LCS-AS2.4-2B Architectural Dimmer 2.4kw 2 Breaker Version 650.00

LCS-AS2.4-3B Architectural Dimmer 2.4kw 3 Breaker Version 680.00



Console Dimmer

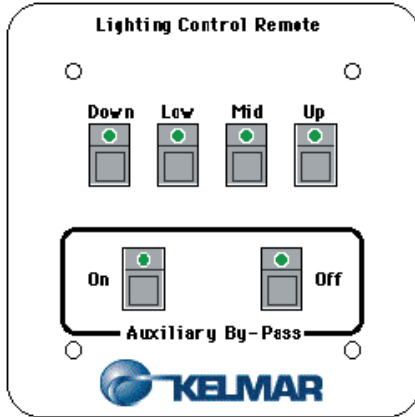
The new Console Mount Lighting Control System from Kelmar delivers proven, reliable performance in a compact, cost effective package. Three position presets together with individually adjustable up and down rates satisfy all applications. Rapid full level circuitry insures safe illumination levels in just a fraction of a second.

This product also makes a great replacement module to retrofit older Dimmers whose parts are no longer available.

LCS-CDM Console Dimmer Module 2.4kw \$ 490.00

Physical Plant Equipment

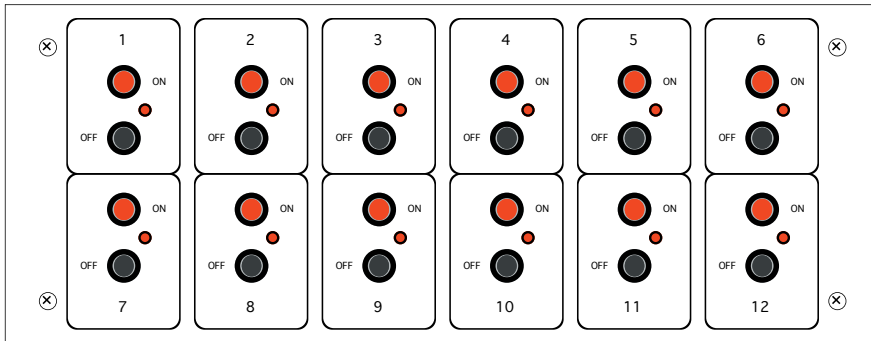
Dimmer Remote Control Systems



Deluxe Dimmer Remote

The #7872 Remote Control Station offers full remote control for either the Kelmar Deluxe House, House Light, or Encore Lighting Systems. It can be conveniently mounted on a standard 4" x 4" electrical box with up to eight stations wired in parallel. All the interface wiring is low voltage, and under full load draws less than .2 of an amp.

DDR-1 Deluxe Dimmer Remote \$ 175.00



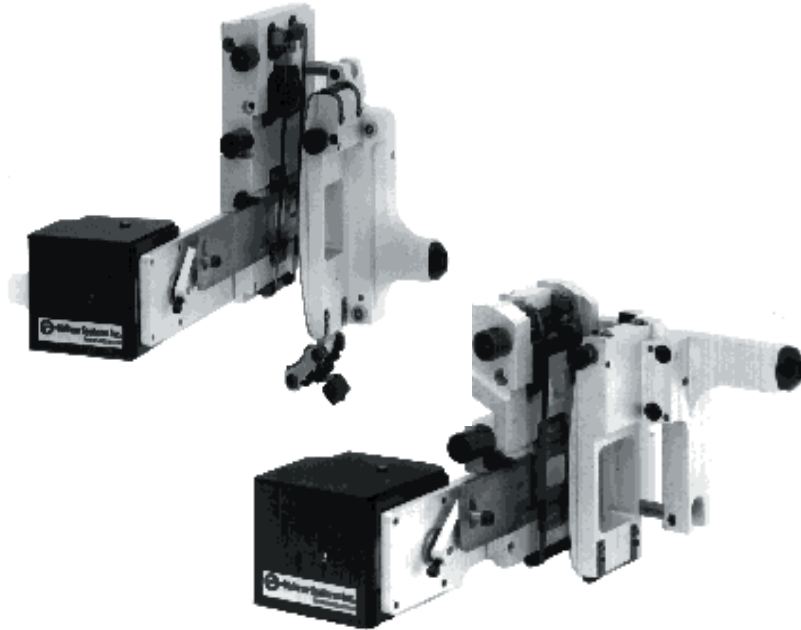
Dimmer Bypass Remote Control

The new Multiple Theatre Dimmer Bypass Remote Control Station is a compact, attractively finished system for remote bypass control of either 12 or 16 Kelmar lighting control systems. The easy-to-install, low-voltage design includes status displays for all auditoriums

DBR-12 12-Theatre Dimmer Bypass Remote \$ 615.00

DBR-16 16-Theatre Dimmer Bypass Remote 820.00

Projector Upgrade Systems



Retrofit Gate/Trap

Provides ideal film path geometry, extreme accuracy, automatic aperture change and unique field-replaceable runner plate surfaces. Gate and trap assemblies for both the Simplex and Century projectors retrofit directly to existing index pins and mounting holes.

Automatic Turret

Turret features ease of installation, fully automatic operation, vertical and lateral individual lens adjustment and micrometer drift free focusing. DC drive and control logic accepts commands from all automation systems and accomplishes full lens change cycles in just two seconds.



CTC-AUTO	Century Model C Gate, Trap & Turret	\$ 3,165.00
CTSA-AUTO	Century Model SA Gate, Trap & Turret	3,165.00
STXL-AUTO	Simplex Model XL Gate, Trap & Turret	3,165.00
V5TC-AUTO	Cinemeccanica V-5 Automatic Turret and Aperture drive	2,550.00

Installation Aids

8907210IF	Installation Fixture for Century Model C	\$ 850.00
8907135	Scribing Template for Century Model SA	98.00
9003299	Scribing Template for Simplex Model XL	98.00

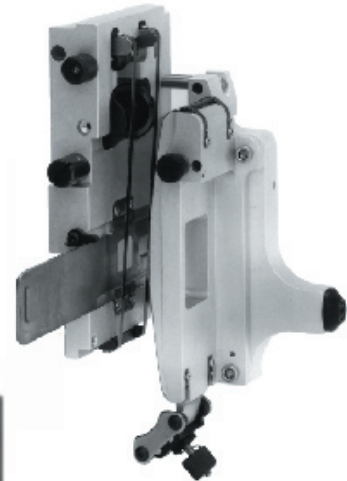
Please contact Kelmar for installation information regarding this kit prior to purchase

Projector Upgrade Systems

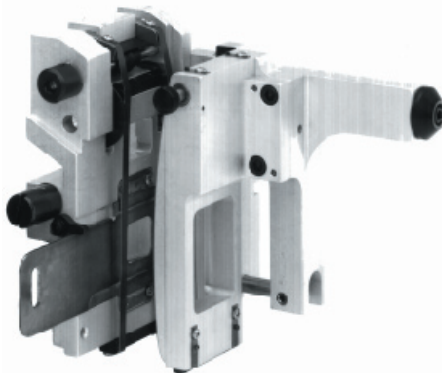


Manual Universal Turret Assembly

Simplex Gate and Trap Assembly



Century Gate and Trap Assembly



The new improved Kelmar Manual Turret / Gate Trap Conversion Kit is attractively priced. It is compatible with short focal length lenses and is easily installed in the field. Lenses are held in precision assemblies that feature full vertical and horizontal adjustments with silky smooth micrometer focusing, guarantee positive image registration show after show. The direct replacement, unitized Gate and Trap assures superior film stability and corner to corner focus. Replaceable hardened steel Gate and Trap Runner Bands offer superior performance, extended service life

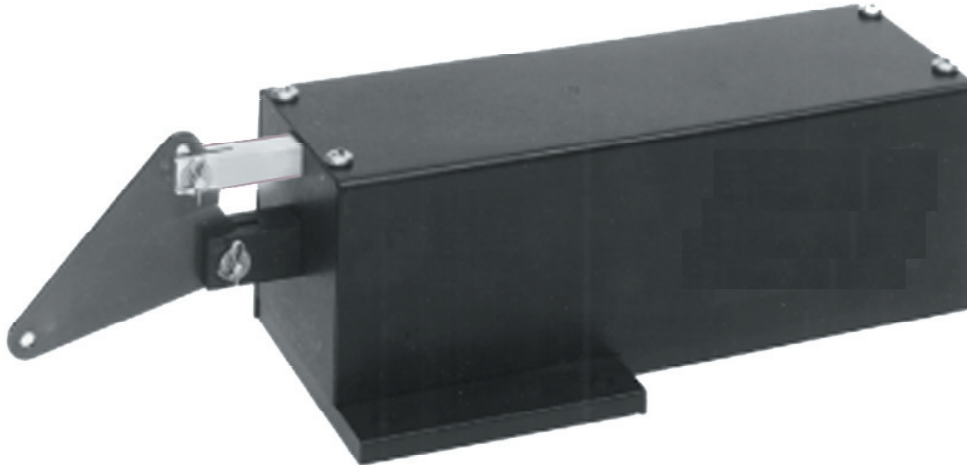
CTC-MAN	Century Model C Gate, Trap & Turret	\$ 2,450.00
CTSA-MAN	Century Model SA Gate, Trap & Turret	2,450.00
STXL-MAN	Simplex Model XL Gate, Trap & Turret	2,450.00
V5TC-MAN	Cinemeccanica V-5 Turret	1,735.00 ***

Installation Aids

8907210IF	Installation Fixture for Century Model C.....	\$ 850.00
8907135	Scribing Template for Century Model SA.....	98.00
9003299	Scribing Template for Simplex Model XL.....	98.00

***Please contact Kelmar for installation information regarding this kit prior to purchase ***

Changeover Systems



ECC-35

Picture Changeover Douser Assembly for the Century 35mm projectors
 Unit comes complete with douser plate, linkage, mounting hardware and
 6ft.of multi-conductor cable interface cable.

The ECC-35-SA model can be easily adapted in the field to fit Christie Projectors.

ECC-35-SA	Changeover Douser Assembly for the Century "SA" Projectors 120 Volt Operation	\$ 275.00
ECC-35-SA-220	Changeover Douser Assembly for the Century "SA" Projectors 220 Volt Operation	295.00
ECC-35-C	Changeover Douser Assembly for the Century "C" Projectors 120 Volt Operation	275.00
ECC-35-C-220	Changeover Douser Assembly for the Century "C" Projectors 220 Volt Operation.....	295.00

ECC-70

Picture Changeover Douser Assembly for the Century "JJ" 35 / 70mm projectors
 Unit comes complete with douser plate, linkage, mounting hardware and
 6ft.of multi-conductor cable interface cable.

ECC-70	Changeover Douser Assembly for the Century "JJ" Projectors 120 Volt Operation	\$ 300.00
ECC-70-220	Changeover Douser Assembly for the Century "JJ" Projectors 220 Volt Operation.....	320.00

ECS-35

Picture Changeover Douser Assembly for the Simplex XL 35mm
 and 70mm projectors. Unit comes complete with linkage, mounting hardware
 and 6ft.of multi-conductor cable interface cable.

ECS-35	Changeover Douser Assembly for the Simplex "XL" Projectors 120 Volt Operation	\$ 275.00
ECS-35-220	Changeover Douser Assembly for the Simplex "XL" Projectors 220 Volt Operation	295.00

Note: All of the above changeovers are equipped with 120VAC coils. 220VAC, 24VAC and 24 VDC coils are available on special order. Please consult Factory for Pricing and Delivery.